

INSTRUCTION MANUAL

CREPE MAKER REF : CR1-400



To ensure proper use of this appliance and your safety, please read the following instructions completely before operating this appliance.

English – Original



Index

Safety instructions	3
Technical specification	4
Introduction	4
Operating instruction	4
Operating steps	4
Notice	4
Exploded view and spear parts list	5
Circuit Diagram	6
Standards and directives	7
Packaging and device disposal	7



1. SAFETY INSTRUCTIONS

- For your safety, do not store or use gasoline or other flammable vapors or liquids in the vicinity of this or any other appliances. Keep the area free and clear of combustible.
- Improper installation, adjustment, alteration, service or maintenance can cause property damage, injury, or death. Read the installation operating and maintenance instructions thoroughly before installing, or servicing this equipment.
- Instructions must be posted in a prominent location. All safety precautions must be taken in the event the user smells gas.
- These models are designed, built, and sold for commercial use only. If these models are positioned so the general public can use the equipment, make sure that cautions, warnings, and operating instructions are clearly posted near each unit so that anyone using the equipment will use it correctly and not injure themselves or harm the equipment.
- A factory authorized agent should handle all maintenance and repair. Before doing any maintenance or repair, contact your authorized service representative.
- This product is intended for commercial use only.
- Installation must comply with all local codes.
- As the machine will be easily cause electric shock by wet, so " Cleaned by water column " and Dipped in the water for cleaning " is not allowed .
- For safe , if the power wire damaged , manufacturer or professional electrician will be asked to change the wire .
- Make sure dry hands .
- Make sure insulation between the power switch, plugs , thermostat with hands.

DANGER: This warns of imminent hazard, which could result in serious injury or death.

WARNING: This refers to a potential hazard or unsafe practice, which could result in serious injury or death.



2. TECHNICAL SPECIFICATION

Model	Voltage	Power	Dimension/mm
CR1-400	230V/50HZ	3 kW	400x400x180

3. INTRODUCTION

Crepe machine is one of the new electric products designed and developed by us, It adopts foreign advanced technology, international popular style, made by good quality stainless steel, tried and true. The plate is perfect as it is processed with special not sticky technology. Main Body, made of the stainless steel, luxurious, good-looking and durable. With easy control and easy maintain function, it is the best choice for frying cakes, eggs, dumpling in food filed.

4. OPERATING INSTRUCTION

Place the machine in flat platform, power wire should be connected to the Leakage Circuit Switches (Leakage rated current 30mA). Before use, please check whether the voltage of power switch and fuse are in conformity with the request of the machine's power. The body must be earth properly. It is forbidden to put the tinder and explosive object near the machine, And keep it in the environment with the superior ventilation system. The temperature around should be less than 50°C.

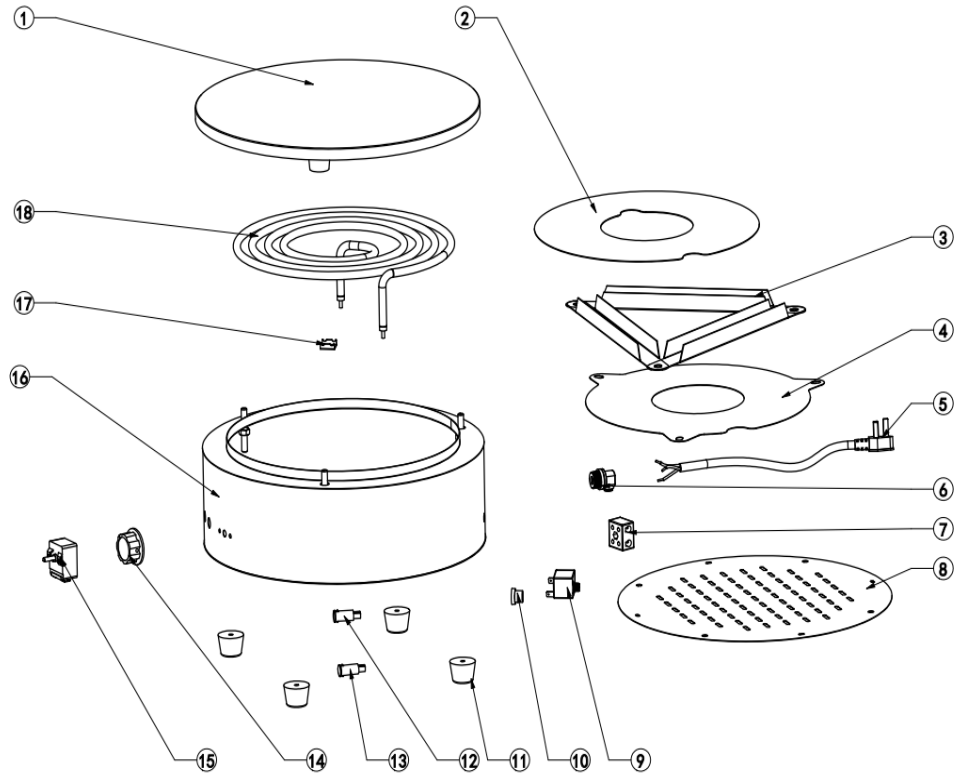
5. OPERATING STEPS

- Put through the power, green light is on, adjust the thermostat to a proper temperature, machine starts to heat when the working indication light (orange) is on.
- Warm up the plate to proper temperature, then start to fry.
To lengthen service life, and avoid accident, dry-burning is not permitted.

6. NOTICE

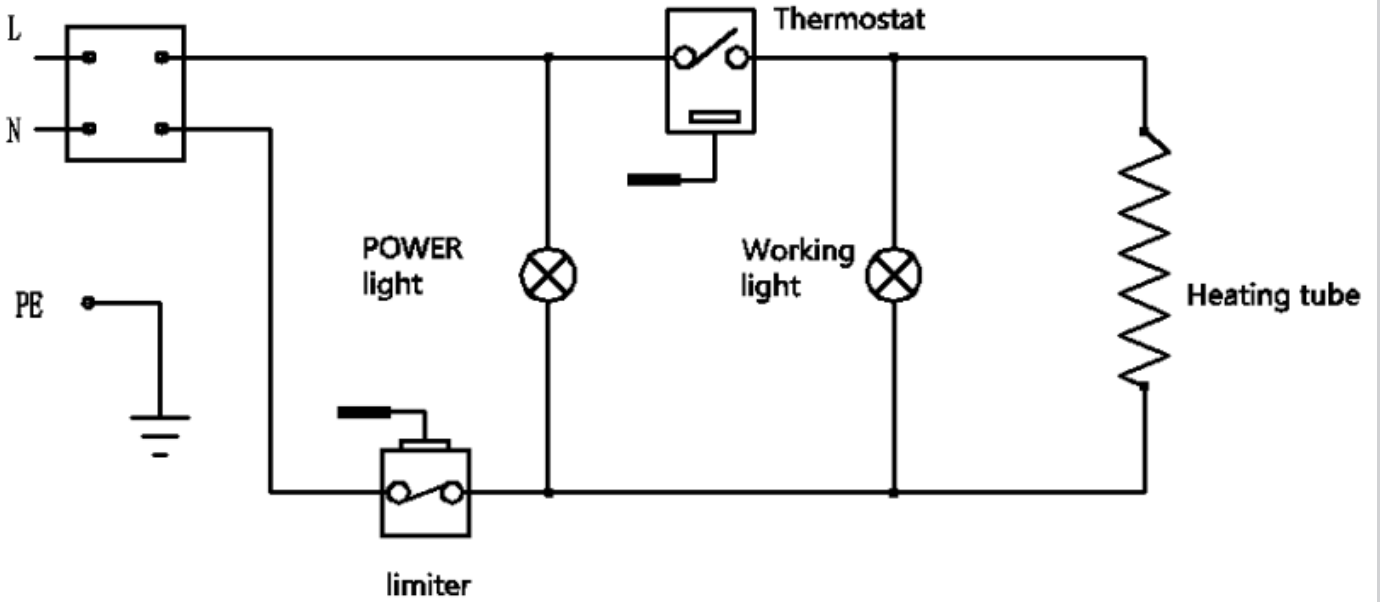
- Power should be connected to the ground firmly.
- Maybe, ten minute for warm up after the machine star up.
- Don not touch the plate and its surface around by hand while the machine is heating, which is to avoid burnt.
- For better frying effect, do please do not scratch the plate.
- All cleaning work should be carried on after the machine is cold.

7. EXPLODED VIEW AND SPEAR PARTS LIST



N°	Description	Ref	Qty
1	Panel		1
2	Heat element pressure plate		1
3	Press plate		3
4	Thermal insulation board		1
5	Power cord	CR1-400-5	1
6	New power cable head	CR1-400-6	1
7	Ceramic terminal block	CR1-400-7	1
8	Bottom cover		1
9	350 temperature limiter	CR1-400-9	1
10	Temperature limiter cover		1
11	Rubber feet	CR1-400-11	4
12	Yellow indicator	CR1-400-12	1
13	Green indicator	CR1-400-13	1
14	Plastic knob (spray)	CR1-400-14	1
15	Thermostat	CR1-400-15	1
16	Box welding		1
17	Probe clip plate		1
18	Heating Element	CR1-400-17	1

8. CIRCUIT DIAGRAM



STANDARDS AND DIRECTIVES

Meaning of crossed out wheeled dustbin:

Do not dispose of electrical appliances as unsorted municipal waste, use separate collection facilities.

Contact your local government for information regarding the collection systems available.

If electrical appliances are disposed of in landfills or dumps, hazardous substances can leak into the groundwater and get into the food chain, damaging your health and well-being.

When replacing old appliances with new ones, the retailer is legally obligated to take back your old appliance for disposals at least free of charge.

The device complies with current EU standards and directives. If necessary, we will send you the corresponding declaration of conformity.

Packaging disposal

Please separate the packaging materials accordingly and return them to the responsible collection points for recycling and environmental housing.



Device disposal

once the appliance has been used up, dispose of it properly at a collection point for electrical appliances. Electrical appliances do not belong in household waste.

Your responsible administration will inform you about the addresses and opening hours of collection points. This is the only way to ensure that old appliances are properly disposed of and recycled. Thank you very much!





CE